



MOS36MNT

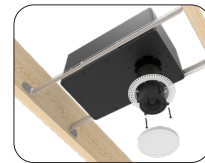
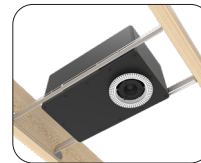
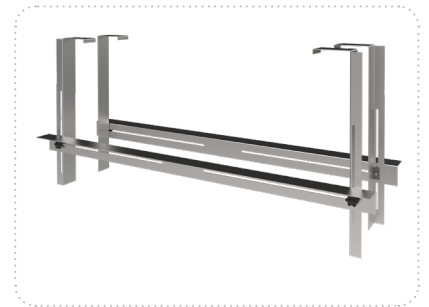
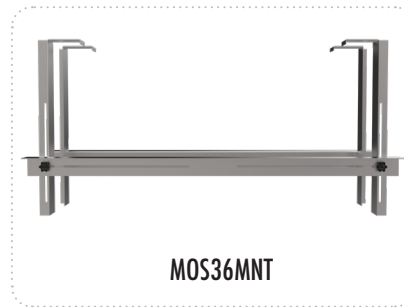
MINIMAL OPENING SYSTEM MOUNT

THE MOST SIMPLE INSTALL

This reusable mount was uniquely designed to ensure the simplest and most seamless installation of our MOS36K Minimal Opening System.

Compared to the traditional installation process, it eliminates the need for temporary wooden supports to be nailed in, speeding up the routine and ensuring perfect positioning every time.

PRODUCT ID



REVOLUTIONARY PRE-CONSTRUCTION MOUNTING

Each formed steel bracket is adjustable in both height and width, and features two robust reversible hangers, which can be turned outward or inward to span ceiling joist spaces of up to 24 inches across.

During installation, these two brackets provide a temporary yet secure support for the woofer back box to rest upon, and easily allow any correct alignment adjustments to be made, before securing the MOS36K back box rails between the ceiling joists.

COMPACT & REUSABLE

Better yet, this MOS36MNT mount tool can be conveniently removed and reused for future installations. Each bracket collapses for space-efficient storage.



MOS36MNT SPECIFICATIONS

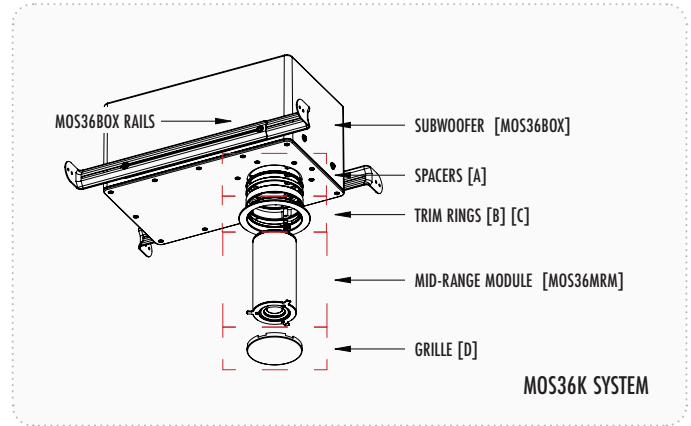


SPECIFICATIONS

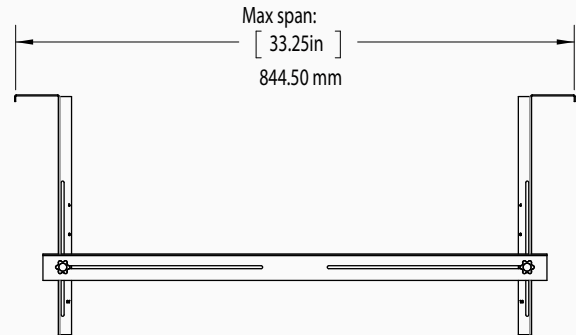
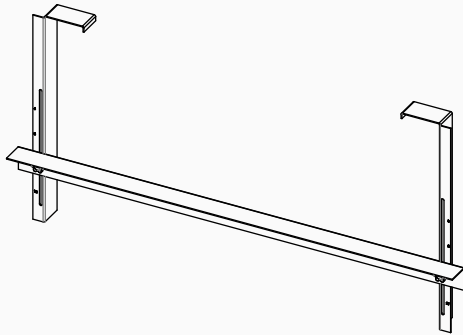
MOS36MNT

Material	Formed Steel
Bracket Height	14.17 in. (360 mm)
Suspended Height	Adjustable from 4.35 in. (110 mm) to 11.40 in. (290 mm)
Suspended Width	Adjustable up to 33.25 in. (845 mm)
Depth	3.16 in. (81 mm)
Weight	5.4 lb (2.4 kg)

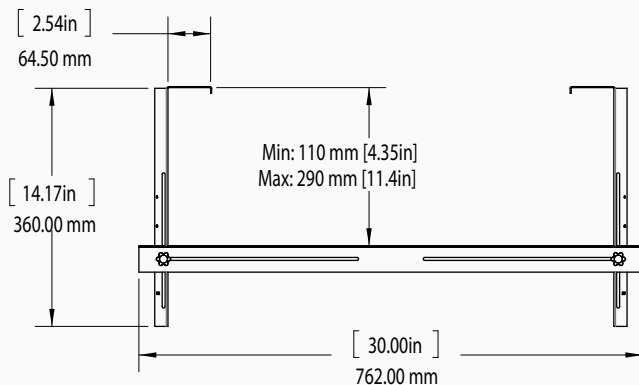
MOS36K REFERENCE



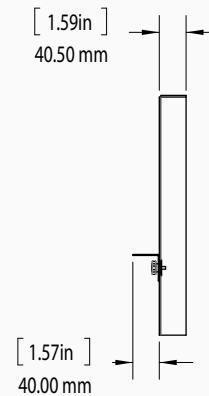
LINE DRAWINGS



BRACKET HANGERS FACING OUTWARDS



BRACKET HANGERS FACING INWARDS



Please visit docs.originacoustics.com or scan the QR code using your smart device for the most up to date specifications and use instructions for this product. Products may only be purchased through an authorized integration partner.